

# Wallmaster™ HPS/PSMH Luminaires

## Vertical and Horizontal Wall Mount

50 W, 75 W, 100 W, 150 W HPS; 70 W, 100 W PSMH.

### NEC/CEC:

Listed for Ordinary (Unclassified) Locations

### Applications

- Totally enclosed luminaires for public security installations. Tough polycarbonate refractor provides vandal resistance.
- Ideal where illumination over wide areas adjacent to walls is required. Applications include walkways, parking lots and garages, building exteriors, shopping centers, stores, restaurants, tunnels, underpasses, loading docks, ramps, security lighting areas, entrances and recreational areas.

### Features

- Computer designed optical system. Reflector provides optimum down and out light distribution. Prismatic refractor provides soft light with even distribution, reducing glare.
- Contemporary architectural design with attractive bronze polyester finish. Soft, diffused light enhances the beauty of any architectural setting.
- Enclosed and gasketed for use in wet locations—indoors and out. High temperature neoprene gasketing.
- Easy to maintain. Hinged lens frame swings open (just loosen two captive bolts) for fast, easy relamping and access to internal components.
- Quick, easy installation. Fixture bolts to any flat surface or any standard 76.2 or 101.6 mm (3" or 4") outlet box for vertical mounting.
- High energy efficiency. High pressure sodium lamps use approximately one-fourth as much electrical energy as incandescent lamps.
- Pre-wired, integrally ballasted.
- Complete assemblies available with a choice of ballasts: high reactance high power factor—with or without photocontrol (automatic ON-OFF operation). High power factor ballasts provide a minimum 90% P.F. and are suitable for use in high ambient temperature areas. High reactance high power factor ballasts are single-tap (120 or 480 Vac), dual tap (120/277 Vac) and multi-tap (120-277 Vac). Reactor and reactor high power factor ballasts are 120 Vac.
- Glass thermal barrier in 100 W and 150 W units protects polycarbonate lens from heat for longer lens life.
- Tough, molded polycarbonate refractor provides cool fixture operation.
- Three knockouts provided for conduit and wiring.
- Medium base porcelain socket with spring loaded nickel plated contacts.

### Standard Materials

- Ballast housing and wall bracket: aluminum
- Hinged lens assembly: high Impact, non-solarizing, polycarbonate
- Reflector: aluminum

### Standard Finishes

- Ballast housing, wall bracket: two-coat bronze polyester finish
- Reflector: natural finish

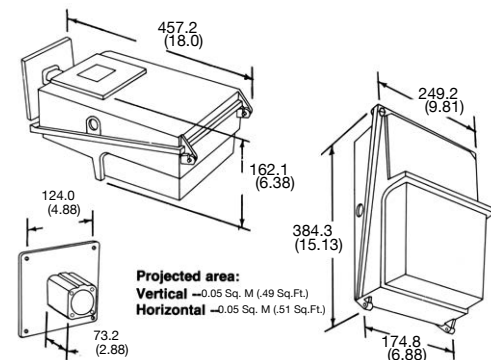
### Options

- Photocontrol provides automatic ON-OFF operation. Order luminaires with **-PC** suffix or add **-PC** suffix to any 120 Volt luminaire catalog numbers.

Note: For multi-tap ballast specify voltage to be used.



### Dimensions in Millimeters (Inches)



### NEC/CEC Certifications and Compliances

- UL Standard: E85142
- UL Standard: 1598
- CSA Certified: LR9349

# Wallmaster™ HPS/PSMH Luminaires

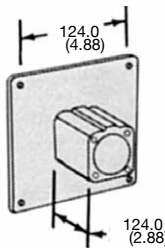
## Vertical and Horizontal Wall Mount

50 W, 75 W, 100 W, 150 W HPS; 70 W, 100 W PSMH.

NEC/CEC:  
Listed for Ordinary (Unclassified) Locations

Description	Line Voltage	Vertical Mount	Catalog Number	
			Horizontal Mount ③	Vertical Mount ④
<b>50-Watt High Pressure Sodium</b>				
Reactor Ballast ①	120 V	G-WM130L-12R	G-WM134L-12R	G-WMM50L-R1 ④
Reactor Ballast, High Power Factor ①	120 V	G-WM130L-12RH	G-WM134L-12RH	G-WMM50L-H1 ④
<b>70-Watt High Pressure Sodium</b>				
High Reactance Ballast, High Power Factor	120/208/240/277 V	G-WM230L-MT	G-WM234L-MT	G-WMM70L-MT ④②
High Reactance Ballast, High Power Factor	480 V	G-WM230L-48	G-WM234L-48	—
Reactor Ballast ①	120 V	G-WM230L-12R	G-WM234L-12R	G-WMM70L-R1 ④
Reactor Ballast, High Power Factor ①	120 V	G-WM230L-12RH	G-WM234L-12RH	G-WMM70L-H1 ④
<b>100-Watt High Pressure Sodium</b>				
High Reactance Ballast, High Power Factor	120/208/240/277 V	G-WM330L-MT	G-WM334L-MT	G-WMM10L-MT ④②
High Reactance Ballast, High Power Factor	480 V	G-WM330L-48	G-WM334L-48	—
Reactor Ballast ①	120 V	G-WM330L-12R	G-WM334L-12R	G-WMM10L-R1 ④
Reactor Ballast, High Power Factor ①	120 V	G-WM330L-12RH	G-WM334L-12RH	G-WMM10L-H1 ④
<b>150-Watt High Pressure Sodium</b>				
High Reactance Ballast, High Power Factor	120/208/240/277 V	G-WM430L-MT	G-WM434L-MT	—
High Reactance Ballast, High Power Factor	480 V	—	—	—
Reactor Ballast ①	120 V	G-WM430L-12R	G-WM434L-12R	G-WMM15L-R1 ④
Reactor Ballast, High Power Factor ①	120 V	G-WM430L-12RH	G-WM434L-12RH	G-WMM15L-H1 ④
<b>70-Watt Pulse Start Metal Halide</b>				
High Reactance Ballast, High Power Factor	120/208/240/277 V	G-WM230H-MT	G-WM234H-MT	G-WMM70H-MT ④②
<b>100-Watt Pulse Start Metal Halide</b>				
High Reactance Ballast, High Power Factor	120/208/240/277 V	G-WM330H-MT	G-WM334H-MT	G-WMM10H-MT ④②

### Wall Mounting Kit

Dimensions	Description	Catalog Number
	Adapts vertical mount fixtures to horizontal position.	G-WM-HMK

① Add suffix **-PC** for Photocontrol. Provides automatic dusk-to-dawn ON-OFF operation. Specify voltage to be used with photocell, if used with multi voltage ballast.

② Change the **-MT** suffix to **-TT** for tri-tap 120/277/347 V.

③ Comes with Wall Mounting Kit GWMHMK

④ Vertical Mounting Wallmaster has CSA Certification only.

# Wallmaster™ HPS/PSMH Luminaires

## Vertical and Horizontal Wall Mount

50 W, 75 W, 100 W, 150 W HPS; 70 W, 100 W PSMH.

**NEC/CEC:**

Listed for Ordinary (Unclassified) Locations

Line Voltage	Type of Ballast	Starting Amps	Operating Amps	Total Watts
<b>50-Watt High Pressure Sodium</b>				
120	Reactor	1.80	1.18	60
120	Reactor, High Power Factor	0.75	0.55	60
<b>70-Watt High Pressure Sodium</b>				
120/208/240/277	High Reactance, High Power Factor	0.75/0.35	0.81/0.35	91
480	High Reactance, High Power Factor	0.21	0.21	94
120	Reactor	2.25	1.70	87
120	Reactor, High Power Factor	0.85	0.75	82
<b>100-Watt High Pressure Sodium</b>				
120/208/240/277	High Reactance, High Power Factor	1.30/.60	1.15/0.50	130
480	High Reactance, High Power Factor	0.33	0.31	135
120	Reactor	3.05	2.40	115
120	Reactor, High Power Factor	1.50	1.05	115
<b>150-Watt High Pressure Sodium</b>				
120/208/240/277	High Reactance, High Power Factor	2.00/0.85	1.65/.72	188
480	High Reactance, High Power Factor	0.50	0.47	189
120	Reactor	4.55	3.40	170
120	Reactor, High Power Factor	2.20	1.50	170
<b>70-Watt Pulse Start Metal Halide</b>				
120/208/240/277	High Reactance, High Power Factor	0.80/0.39	0.85/0.39	95
<b>100-Watt Pulse Start Metal Halide</b>				
120/208/240/277	Constant Wattage Auto transformer (CWA)	1.22/0.44	1.15/0.50	128

# Wallmaster™ HPS/PSMH Luminaires

## Vertical and Horizontal Wall Mount

50 W, 75 W, 100 W, 150 W HPS; 70 W, 100 W PSMH. Data Based on 70 Watt, HPS Clear B-17 Medium Base Lamp (6,300 lumens).

NEC/CEC:  
Listed for Ordinary (Unclassified) Locations

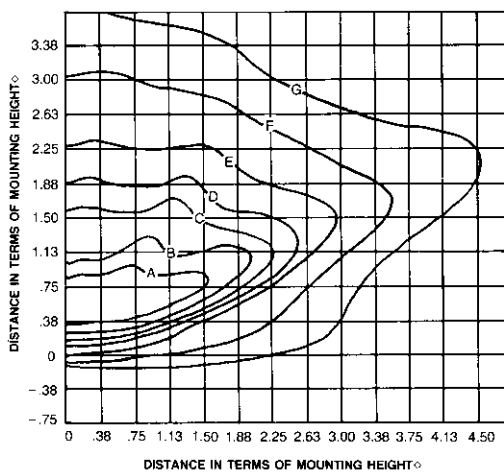
### Photometric Data ①

Mtg. Ht.	Ft. Candles for Iso-Footcandle Lines						
	A	B	C	D	E	F	G
6'	5.80	4.80	3.87	2.88	1.94	0.96	0.39
7'	4.22	3.54	2.84	2.14	1.42	0.70	0.29
8'	3.26	2.72	2.17	1.63	1.09	0.54	0.22
10'	2.09	1.73	1.39	1.04	0.70	0.34	0.14
12'	1.45	1.21	0.96	0.72	0.48	0.24	0.10
14'	1.06	0.89	0.71	0.53	0.36	0.18	0.07

Watts	Lumens	Mult.
35	2,250	.357
50	3,500	.556
100	9,500	1.508
150	16,000	2.540

### Typical Footcandle Values

#### 70 W High Pressure Sodium



NOTE: For other HPS, Clear, Med. Base Lamps multiply all footcandle values as follows:

◇ Distance in terms of mounting height (i.e., ratio) of distance to height. Example: @ 4.6 m (15 ft) mounting height, 1 means 4.6 m (15 ft); 2 means 9.1 meters (30 ft), etc.)

① Additional photometric charts available on request.