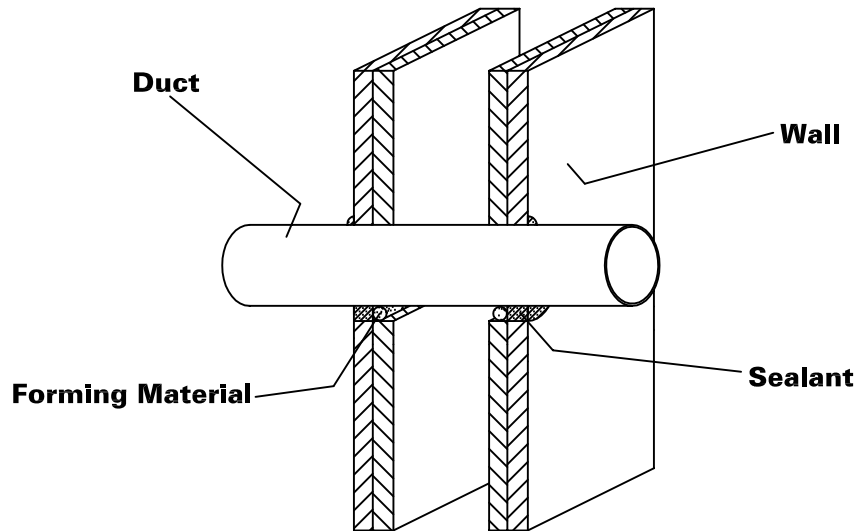


GYPSUM WALL METALLIC DUCT

F Rating 1 or 2 Hr.

T Rating 0 Hr.



- WALL ASSEMBLY – Constructed in the manner specified in the U300 or U400 series designs as shown in the UL Fire Resistance Directory. Max. diameter of opening is 5”.
- METALLIC DUCT – Max. nominal 4” diameter, or smaller, No. 30 MSG (or heavier) steel vent duct. Duct to be rigidly supported on both sides of wall assembly. The annular space between duct and periphery of opening shall be min. 0” (point of contact) to max. 7/8”.
- FORMING MATERIAL – Used to prevent the leakage of sealant during installation in 2 hr. fire-rated assemblies. Install backer rod within the annular space, and recess 5/8” from both surfaces of wall.
- NELSON LBS3 SEALANT – Apply to fill the annular space around the duct to a min. 5/8” depth. At areas of point of contact, apply a 3/8” diameter bead of sealant at the gypsum wallboard/through penetrant interface on both surfaces of wall.

Tested in accordance with:
ASTM E-814
ANSI/UL 1479


System No.
W-L-7106

Nelson Firestop

DWG NO. FS-0611 R0

DATE: 07/14/03

BY: RL

Project Name: _____
Address: _____

Installer: _____
Address: _____

Signature: _____

Nelson Firestop
800 331-7325 Fax: 918 627-2941
Tulsa, Ok.