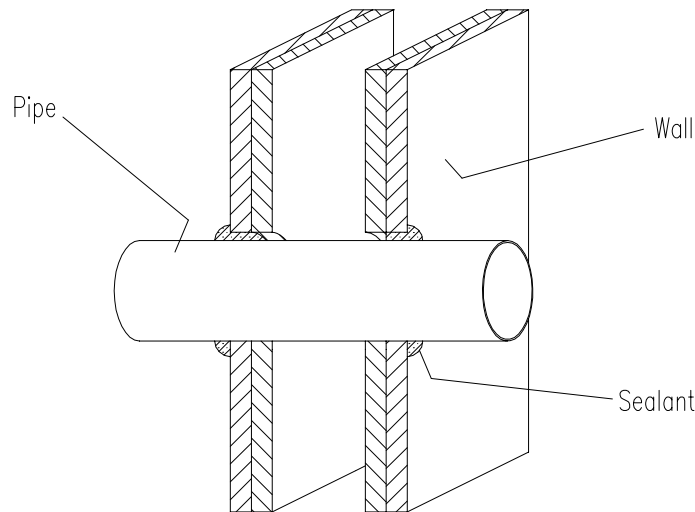


# GYPSUM WALL METALLIC DUCT

**F Rating 1 or 2 Hr.**

**T Rating 0 Hr.**



- WALL ASSEMBLY – Constructed in the manner specified in the U300 or U400 series designs as shown in the UL Fire Resistance Directory.
- METALLIC DUCT – Max nominal 6” diameter, or smaller, No. 28 MSG (or heavier) steel vent duct. Duct to be rigidly supported on both sides of wall assembly. The annular space between duct and periphery of opening shall be min. 0” (point of contact) to max. 1”.
- METALLIC DUCT – Max nominal 20” diameter, or smaller, No. 22 MSG (or heavier) steel vent duct. Duct to be rigidly supported on both sides of wall assembly. The annular space between duct and periphery of opening shall be min. 0” (point of contact) to max. 2”.
- FORMING MATERIAL (not shown) – Used to prevent the leakage of sealant during installation in 2 hr fire-rated assemblies. Install backer rod within the annular space, and recess 5/8” from both surfaces of wall.
- NELSON ES1399 SEALANT – Apply to fill the annular space around the duct to a min 5/8” depth. At areas of point of contact, apply a 3/8” diameter bead of sealant at the gypsum wallboard/through penetrant interface on both surfaces of wall.

Tested in accordance with:  
ASTM E-814  
ANSI/UL 1479



**System No.  
W-L-7092, W-L-7106**

## Nelson Firestop

**DWG NO. FS-0466 R1**

**DATE: 10/01/03**

**BY: RL**

**Project Name:** \_\_\_\_\_  
**Address:** \_\_\_\_\_  
  
**Installer:** \_\_\_\_\_  
**Address:** \_\_\_\_\_  
  
**Signature:** \_\_\_\_\_

## Nelson Firestop

**800 331-7325 Fax: 918 627-2941  
Tulsa, Ok.**