
Technical Data

➤ Product Description

Nelson Fire Plugs are a soft, pliable, intumescent material that is ideal for applications where the Firestop application may be required to be re-penetrated. Upon the event of a fire, the material expands within the opening, forming a solid char that prevents through penetration of the fire.

➤ Application

Nelson Fire Plugs are an economical, durable, labor saving firestop material for cable penetrations in round openings. Plugs should be installed into a clean opening free of grease, dirt or loose particles. For general application guidelines, select the proper size plug to fit the diameter of the opening. Using a keyhole saw or knife, slit the plug and cut out a rough opening in the plug to the approx. diameter of the cable bundle. Using FSP putty to fill any voids, slide plug over cable bundle and work into opening. Add putty as necessary. Actual installation should be in accordance with the appropriate Nelson application system drawing or applicable system in the UL Fire Resistance Directory.

➤ Availability

AA0835P02 – 2" Plug, 0.2lb. (95 grams) 10 / Carton

AA0835P03 – 3" Plug, 0.5lb. (220 grams) 8 / Carton

AA0835P04 – 4" Plug, 0.9lb. (400 grams) 6 / Carton

➤ Approvals

Underwriters Laboratories Inc., Fill, Void or Cavity Material (XHHW) and (XHHW7)

➤ Features

- Up to 2-Hour Ratings
- Easily Installed
- Non-Shrinking
- Non-Toxic
- Easily Re-penetrable
- Excellent Shelf Life

➤ Physical Properties

- Color.....Charcoal Gray
- Intumescent activation temp. >300°F
- Intumescent expansion > 600%
- Asbestos FillerNone

➤ Test Compliance

- ASTM E-814 and UL1479, Test method for through stop fire penetrations.

➤ Testing Data

For specific test criteria, refer to the UL Fire Resistance Directory.

➤ Storage & Handling

Nelson Fire Plugs should be stored in dry, covered locations. There is no indication of shelf life limitations.

➤ Related References

Underwriters Laboratories Inc. "Fire Resistance Directory". Application details are available in AutoCAD® format on request.



INSTALLATION INSTRUCTIONS

Nelson Fire Plugs are available in nominal 2", 3" and 4" diameters. They are designed for use in round cored holes. The Fire Plug is of the same material used in the Nelson Firebrick which is soft, pliable and re-usable, making installation simple.

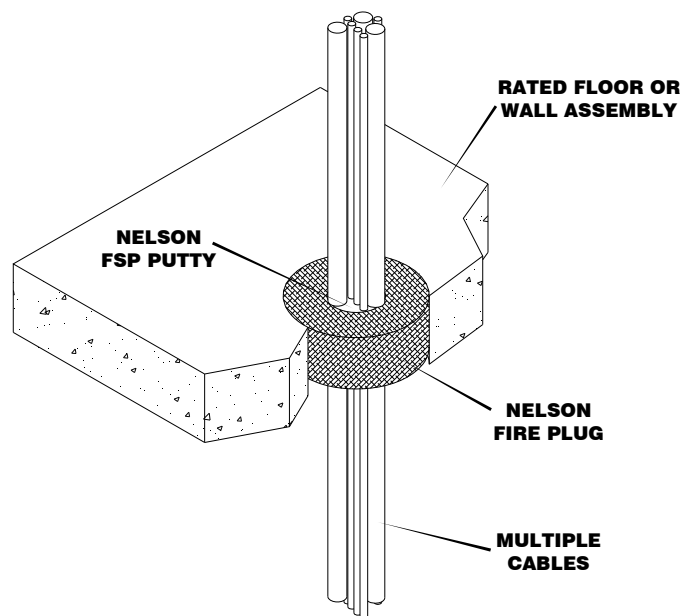
Refer to the actual installation in the Nelson catalog or the applicable system in the UL Fire Resistance Directory. General instructions are provided here.

For Cable Penetration application:

1. Clean opening. Remove foreign particles, dirt, grease, etc. inside opening and on cables.
2. Using knife or key hole saw, cut through diameter of plug and cut out center of plug to roughly fit diameter of cable bundle.
3. Apply Nelson Firestop Putty (FSP) within interstices and voids between cables.
4. Fit plug around cables and compress plug within opening, flush with floor surface.
5. Finished installation should have no visible gaps or voids. Add FSP to close visible voids.

Diagram below depicts a concrete floor assembly.

Installation for wall applications require same installation on both sides of the wall.



NELSON FIRESTOP PRODUCTS

P.O. Box 726
Tulsa, OK 74101

Toll Free: 800-331-7325
www.nelsonfirestop.com

Direct: 918-627-5530
e-mail: info@nelsonfirestop.com

Fax: 918-641-7336