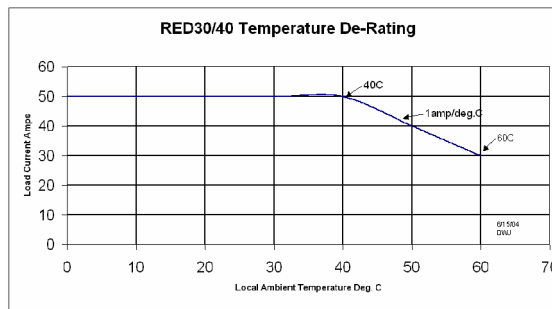


SDN 30/40RED	Part Number Número de Parte Numéro de la Pièce	1.43lbs (646g)	Weight (lbs/g) Peso (lbs/g) Poids (lbs/g)	Input / Entrada / Entrée			Output / Salida / Sortie	
				30 - 40 / 50A	Nominal / Maximum Nominal / Máximo Nominale / Maximum	Voltage Voltage Tension	24VDC	Voltage Drop Caída De Voltaje Chute De Tension

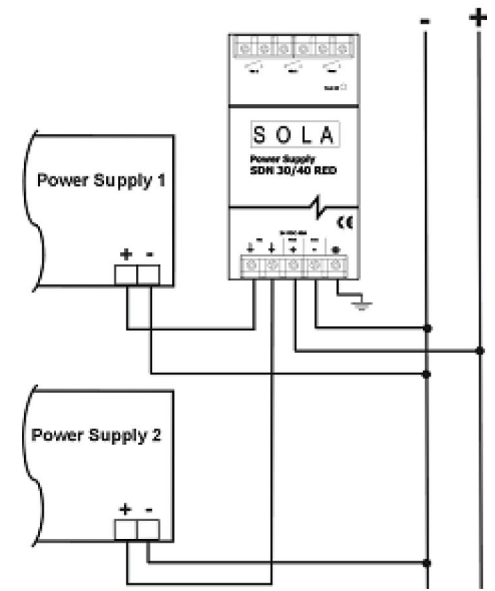


Important Notice!

For optimum reliability do not load the SDN30/40RED module over the de-rating recommendation in the table above.

Operation above these levels will cause overheating of internal components and reduce reliability of the module.

If full power operation of an SDN40-24-480 is required at 60°C please contact Sola/Hevi-Duty Technical Services at the phone numbers listed on the title block of this manual.



SDN Series Redundant Module Manual Supplement



Technical Services

SDN 30/40RED	USA	(800) 377-4384
	International	(847) 268-6000
	E-Mail	tech@sola-hevi-duty.com

www.solaheiduty.com